

UV - Disinfection Systems to 60°C Aqua UVtron[®] A-Serie-LCD-HW

Longlife High-Power Certified UV-C Systems for hot water disinfection

Applications

- Drinking water supply
- Industrial process water disinfection
- Pharmaceutical and chemical industry
- Soft drink industry and breweries
- Food production industry
- Hospital and clinics
- Pure and Ultrapure water disinfection
- Cold and Hot water installations (Legionella prevention)
- Swimming- and Whirlpools



Characteristics

- Compact system
- Electro polished 316L (1.4404) chamber designed for pressures up to 12 bar
- Taps for test water at the entrance and outlet
- Electronic ballast with integrated current loop detecting the lamp function
- Selective UV-C radiation detection according to DVGW sheet W-294 and Ö-Norm 5873-1 regulations with 4-20 mA signal output, LCD display indication the absolute UV-C intensity in W/m², run time as well as startup and power failure counters, potential free relay contacts for alarm and pre-alarm signals
- Remote control facility
- Power failure safe
- Longlife amalgam lamp technology
- High quality of the used quartz sleeves
- Integrated mounting plate on the reactor
- Economical

Options

- Flow restriction valve
- Flow meter with pulses or inductive magnetic
- Water temperature detection with flushing valve
- Connection fittings in 316L (1.4404)
- Flow interruption valve

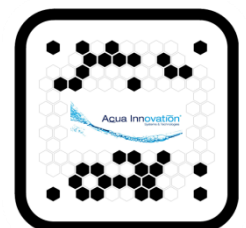
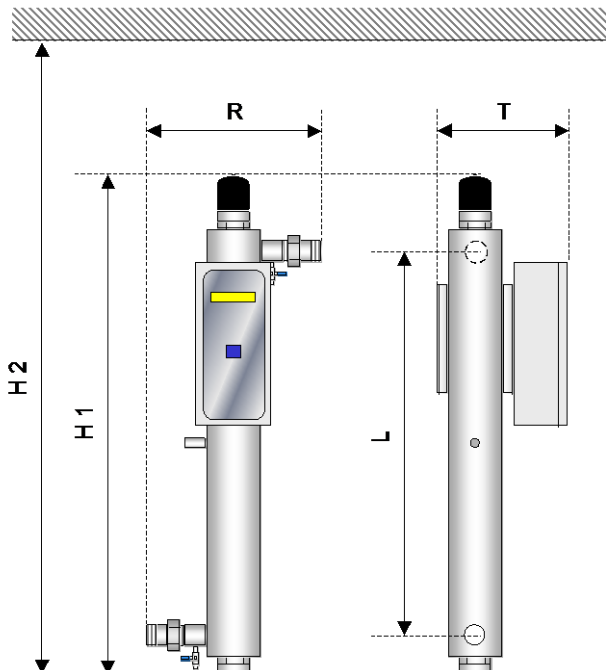


Technical Data

Device type:	UV-C A46 H	UV-C A90 H	UV-C A180-F-H	UV-C A300-F-H	Unit
Application:					
- Hotwater till 65 °C (H)	3.5	9.5	17.6	24.0	m ³ /h
Power consumption:	80	150	230	265	Watt
UV-C Dose @ 254 nm:	>400	>400	>400	>400	J/m ²
UV LP lamp:	GXL 46 AI	GXL 90/140AI	GXL 180AI	GXL 300AI	
- lamp power	65.0	135.0	205.0	238.0	Watt
- UV-C output @ 254 nm	20.0	43.0	65.0	90.0	Watt
- lamp operation time	12'000	12'000	12'000	12'000	h
Temperature range:					
- water	4 - 65	4 - 65	4 - 65	4 - 65	°C
- enviroemnt	4 - 45	4 - 45	4 - 45	4 - 45	°C
Max. operational pressure:	10	10	10	10	bar
Connection without. Coupler:	R 1 1/2" AG	R 2" AG	DN 65	DN 80	
Connection incl. Coupler:	R 1 1/4" AG	R 1 1/2" AG	n.A	n.A.	
Dimensions:					
- width R (w/o Coup.) and depth T	261 * 269	261 * 269	360 * 295	369 * 339	mm
- width R (with Coup.) and depth T	353 * 269	381 * 269	n.A	n.A.	mm
- height entrance - exit L	337	734	970	957	mm
- mounting height H1	533	942	1'198	1'198	mm
- required height H2	991	1'810	2'251	2'251	mm
- required height H3 for maintenance	458	868	1'053	1'053	mm
- Control unit	incl.	incl.	incl.	incl.	mm
- chamber type	G-5-400	G-5-800	G-6-1000-F	G-7-1000-F	
Weight:					
- radiation chamber	8.8	11.9	17.8	25.5	kg
- control unit	2.4	2.4	2.8	4.1	kg
Protection degree:	IP 65	IP 65	IP 65	IP 65	
Materials:					
- radiation chamber	1.4404	1.4404	1.4404	1.4404	
- control unit	Polycarbonat	Polycarbonat	Polycarbonat	Polycarbonat	

Technical data subject to change without previous notice

Dimensions



Aqua Innovation GmbH
 Grundstrasse 22A
 CH – 6343 Rotkreuz
 SCHWEIZ / SWITZERLAND

Tel: +41 41 524 05 50
 Fax: +41 41 524 05 52
 E-Mail: info@aqua-innovation.ch
 Homepage: www.aqua-innovation.ch