

UV - Disinfection Systems

Aqua UVtron[®] A-Serie-LCD

Longlife High-Power Certified UV-C Systems for water disinfection

Applications

- Drinking water supply
- Industrial process water disinfection
- Pharmaceutical and chemical industry
- Soft drink industry and breweries
- Food production industry
- Hospital and clinics
- Pure and Ultrapure water disinfection
- Cold and Hot water installations (Legionella prevention)
- Swimming- and Whirlpools



Characteristics

- Compact system
- Electro polished 316L (1.4404) chamber designed for pressures up to 12 bar
- Taps for test water at the entrance and outlet
- Electronic ballast with integrated current loop detecting the lamp function
- Selective UV-C radiation detection according to DVGW sheet W-294 and Ö-Norm 5873-1 regulations with 4-20 mA signal output, LCD display indication the absolute UV-C intensity in W/m², run time as well as startup and power failure counters, potential free relay contacts for alarm and pre-alarm signals
- Remote control facility
- Power failure safe
- Longlife amalgam lamp technology
- High quality of the used quartz sleeves
- Integrated mounting plate on the reactor
- Economical

Options

- Flow restriction valve
- Flow meter with pulses or inductive magnetic
- Water temperature detection with flushing valve
- Connection fittings in 316L (1.4404)
- Flow interruption valve
- Alarm signal transmission by cable or GSM
- Solar or hydro-electric power supply

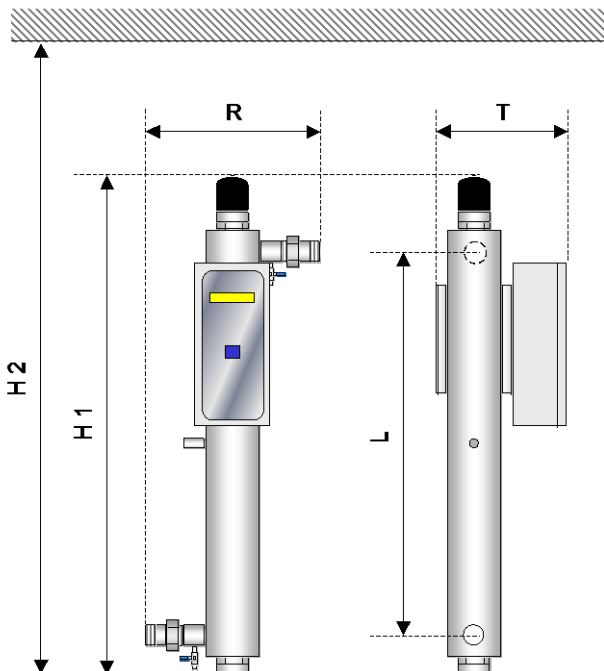


Technical Data

Device type:	UV-C A27	UV-C A46 / (H)	UV-C A90 / (H)	UV-C A180-F / (H)	UV-C A300-F / (H)	UV-C A500-F	UV-C A750-F	UV-C A1250-F	Unit
Application:									
- Coldwater till 38 °C	2.8	3.7	10.2	18.9	26.3	53.4	95.3	145.0	m ³ /h
- Hotwater till 65 °C (H)	n.a.	3.0	7.5	10.0	19.0	n.a.	n.a.	n.a.	m ³ /h
Power consumption:	55	80	150	230	265	530	1'060	1'590	Watt
UV-C Dose @ 254 nm:	>400	>400	>400	>400	>400	>400	>400	>400	J/m ²
UV LP lamp:	GXL 12/27	GXL 46 AI	GXL 90/140AI	GXL 180AI	GXL 300AI	2*GXL 300AI	4*GXL 300AI	6*GXL 300AI	
- lamp power	41.0	65.0	135.0	205.0	238.0	238.0	238.0	238.0	Watt
- UV-C output @ 254 nm	14.3	20.0	43.0	65.0	90.0	90.0	90.0	90.0	Watt
- lamp operation time	8'700	12'000	12'000	12'000	12'000	12'000	12'000	12'000	h
Temperature range:									
- water	4 - 38	4 - 65	4 - 65	4 - 65	4 - 65	4 - 65	4 - 65	4 - 65	°C
- envirement	4 - 45	4 - 45	4 - 45	4 - 45	4 - 45	4 - 45	4 - 45	4 - 45	°C
Max. operational pressure:	10	10	10	10	10	10	10	10	bar
Connection without Coupler:	R 1 1/4" AG	R 1 1/2" AG	R 2" AG	DN 65	DN 80	DN 100	DN 125	DN 150	
Connection incl. Coupler:	R 1" AG	R 1 1/4" AG	R 1 1/2" AG	n.A.	n.A.	n.A.	n.A.	n.A.	
Dimensions:									
- width R (w/o Coup.) and depth T	236 *244	261 * 269	261 * 269	360 * 295	369 * 339	423 * 219	458 * 254	509 * 305	mm
- width R (with Coup.) and depth T	320 *244	353 * 269	381 * 269	n.A.	n.A.	n.A.	n.A.	n.A.	mm
- height entrance - exit L	733	337	734	970	957	931	906	877	mm
- mounting height H1	925	533	942	1'198	1'198	1'198	1'198	1'198	mm
- required height H2	1'775	991	1'810	2'251	2'251	2'251	2'251	2'251	mm
- required height H3 for maintenance	850	458	868	1'053	1'053	1'053	1'053	1'053	mm
- Control unit	incl.	incl.	incl.	incl.	incl.	400*600*200	400*600*200	400*600*270	mm
- chamber type	G-4-800	G-5-400	G-5-800	G-6-1000-F	G-7-1000-F	G-9-1000-F	G-10-1000-F	G-12-1000-F	
Weight:									
- radiation chamber	9.1	8.8	11.9	17.8	25.5	38.0	40.0	85.0	kg
- control unit	2.2	2.4	2.4	2.8	4.1	12.0	14.0	20.0	kg
Protection degree:	IP 65	IP 65	IP 65	IP 65	IP 65	IP 54	IP 54	IP 54	
Materials:									
- radiation chamber	1.4404	1.4404	1.4404	1.4404	1.4404	1.4404	1.4404	1.4404	
- control unit	Polycarbonate	Polycarbonate	Polycarbonate	Polycarbonate	Polycarbonate	Painted steel	Painted steel	Painted steel	

Technical data subject to change without previous notice

Dimensions



Aqua Innovation GmbH
 Grundstrasse 22A
 CH – 6343 Rotkreuz
 SCHWEIZ / SWITZERLAND

Tel: +41 41 524 05 50
 Fax: +41 41 524 05 52
 E-Mail: info@aquainnovation.ch
 Homepage: www.aquainnovation.ch